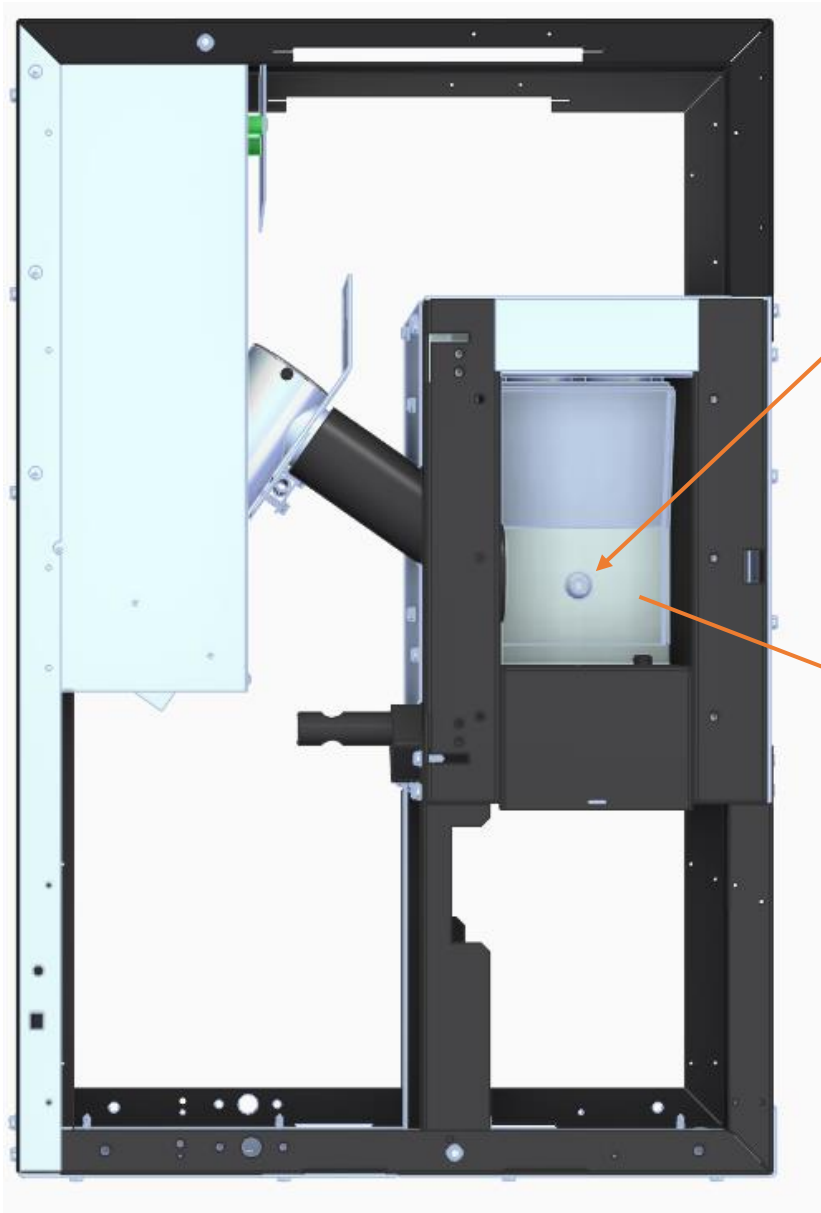
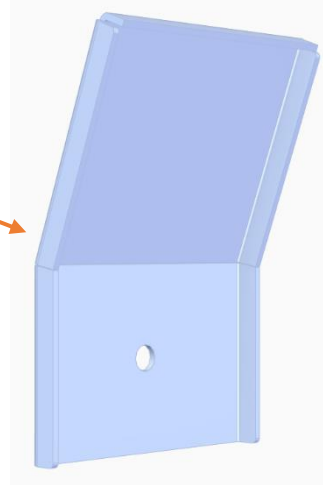


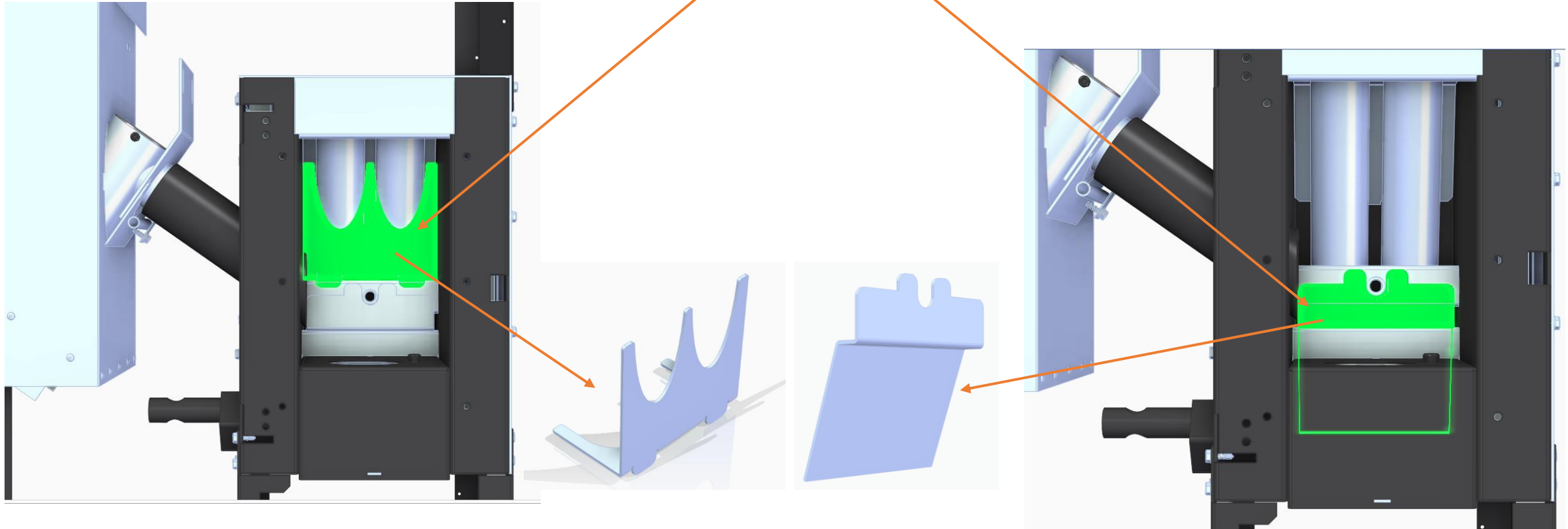
NEW 4KW STOVE 4 STARS CLEANING

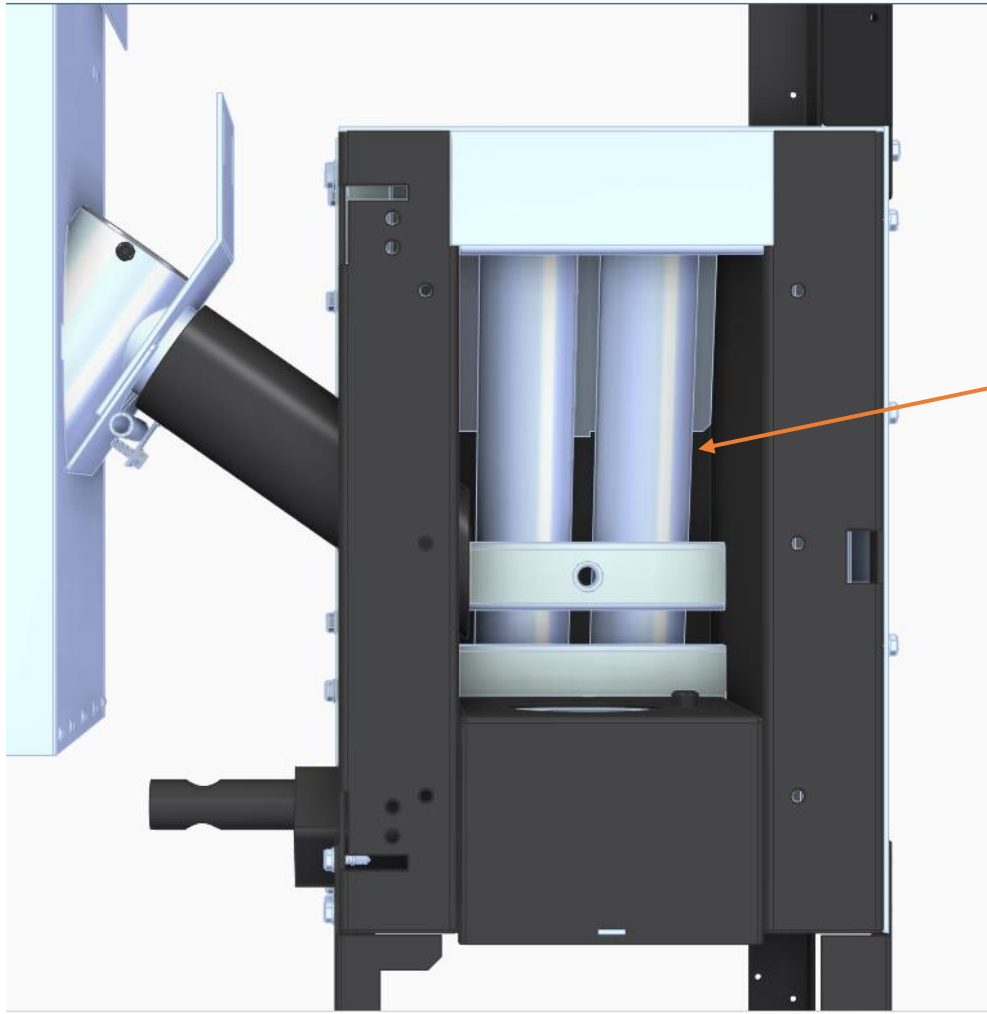


REMOVE THE COMBUSTION CHAMBER SHIELD
UNSCREWING THE CENTRAL SCREW

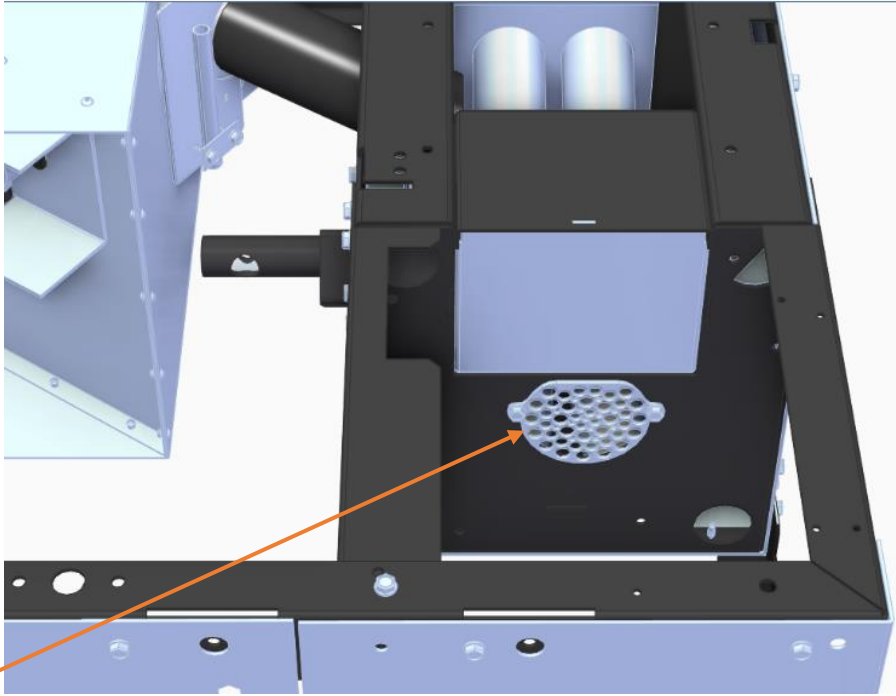


REMOVE THE TWO SMOKE DEFLECTORS





CLEAN WITH A BRUSH
IN THE MIDDLE OF THE AIR PIPES



REMOVE THE SMOKE ENGINE
AND CLEAN THE LOWER GRID